

JVS manufactures Cross over spools in various sizes and pressure ratings (2000 PSI to 15000 PSI). Cross over spools are forged into a single piece or welded construction. Cross over spools have end connection that differ from one another in nominal size and pressure rating. Basic material of construction is alloy steel. However, stainless steel or other exotic material can be supplied.

Rated working pressure

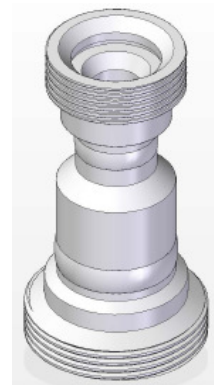
The rated working pressure of the Cross over spool shall be the lowest rating of the end and outlet connectors on the adapter.

End and outlet connectors as per API 6A Clause 10.18 (19th Edition, July 2004)

Customers may specify any combination of end connections (i.e. male to male, male to female and female to female) as well as overall height or length. When specified "minimum height (or length)", JVS Cross over spools have minimum overall height (or length) consistent with adequate clearance to accommodate hammer union cap. We can provide suitable hammer union assembly as per customer requirement.

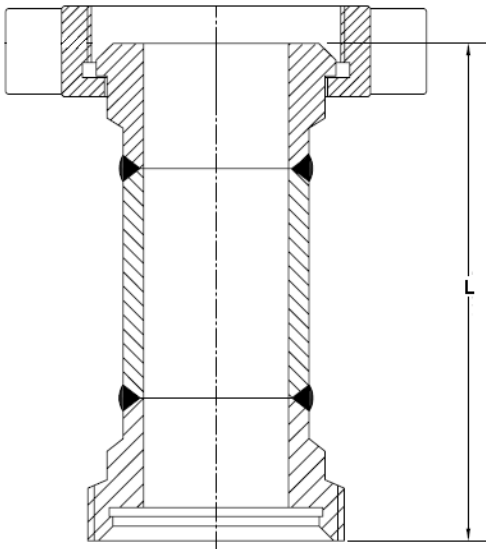
Product range

Size and end connection	: As per customer requirement
Pressure Class	: 2000 PSI to 15000 PSI
Material of Construction	: As per API 6A / 16A
Service Condition	: General, Sour Services

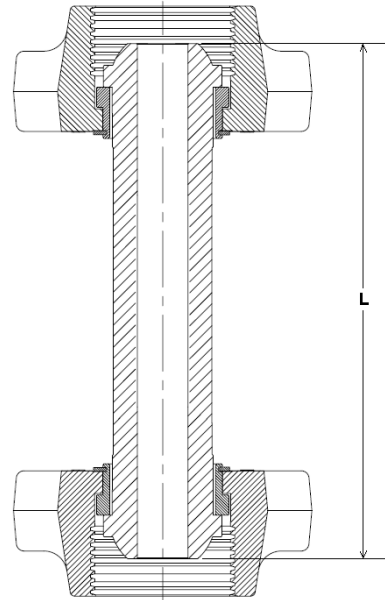


Note: This is for understanding only. Please refer to JVS for detailed design & technical information.

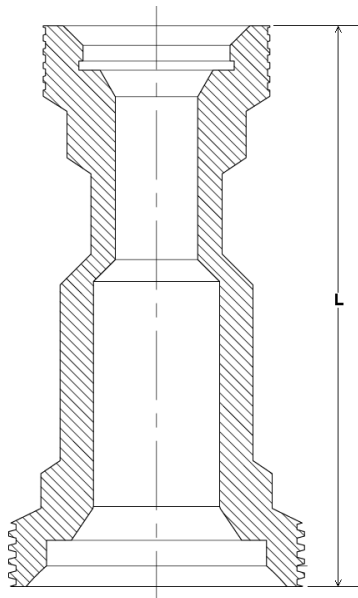
Written By	R. B. Parmar
Checked by	J. V. Mistry
Approved By	V. M. Shah
Revision	00
Rev./Rel. Dt.	04/06/2009
Page	Page 2 of 2



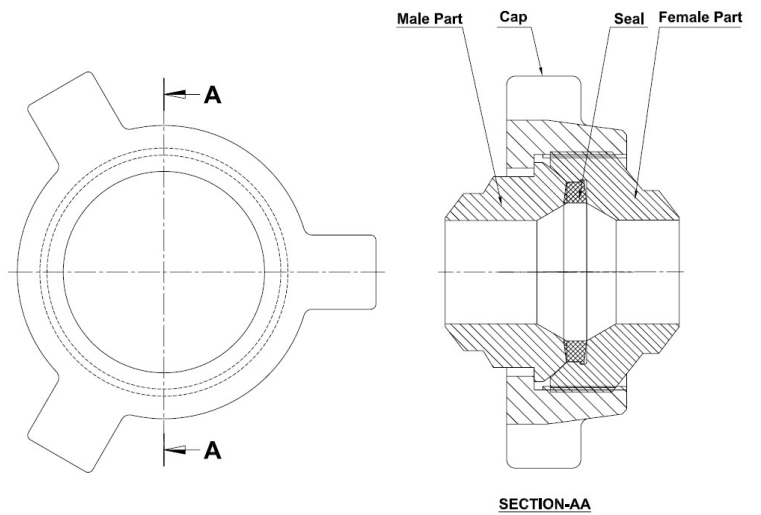
Male to Female Cross Over



Male to Male Cross Over (Split Collar Type)



Female to Female Cross Over



Hammer Union Assembly Scheme

Note: This is for understanding only. Please refer to JVS for detailed design & technical information.