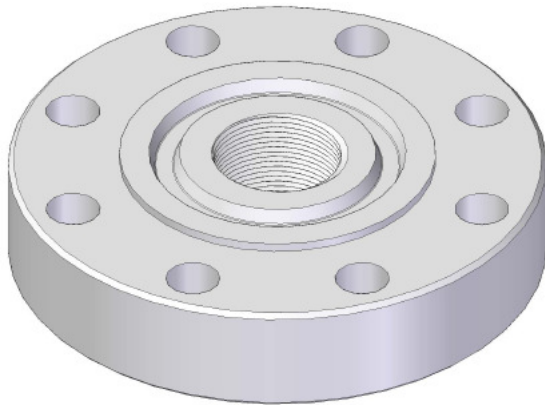
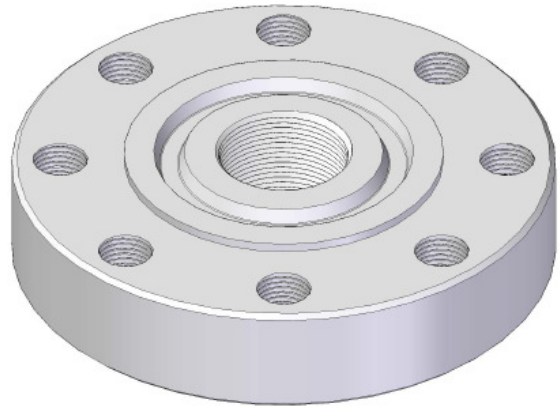


JVS manufactures Threaded Companion Flanges in various sizes and pressure ratings as per API 6A. Basic material of construction is low alloy steel. However, stainless steel or other exotic material can be supplied. For corrosion resistance, normally we provide SS 316 or inconel 625 overlays.



Through Bolted Type Threaded Companion Flange



Studded Type Threaded Companion Flange

### API 6A Threaded Flange pressure rating & size ranges:

Rated working pressure (PSI)	Flange size range Type 6B (in)	API 6A reference (19 <sup>th</sup> Edition, July 2004)
2000	2 -1/16" To 21 1/4"	Table no. 36 on pg. no. 114
3000	2 - 1/16" To 20 3/4"	Table no. 37 on pg. no. 117
5000	2 -1/16" To 11"	Table no. 38 on pg. no. 120

### Type 6B flanges:

Type 6B flanges are of the ring joint type and are not designed for face-to-face make-up. The connection make-up bolting force reacts on the metallic ring gasket. Type 6B flanges are of through bolted or studded design. Overall size shall conform as per Table 36, Table 37 and Table 38 of API 6A (19<sup>th</sup> Edition, July 2004) as applicable.

For different application, different type of threads are used. For Line-pipe – NPT thread, for Tubing – non-upset and external upset round thread and for Casing – round, buttress and extreme line thread. Thread type & size with respect to pressure rating and different flange sizes shall conform to the requirements of clause 4.2.1.2 of API 6A (19<sup>th</sup> Edition, July 2004).

Note: This is for understanding only. Please refer to JVS for detailed design & technical information.

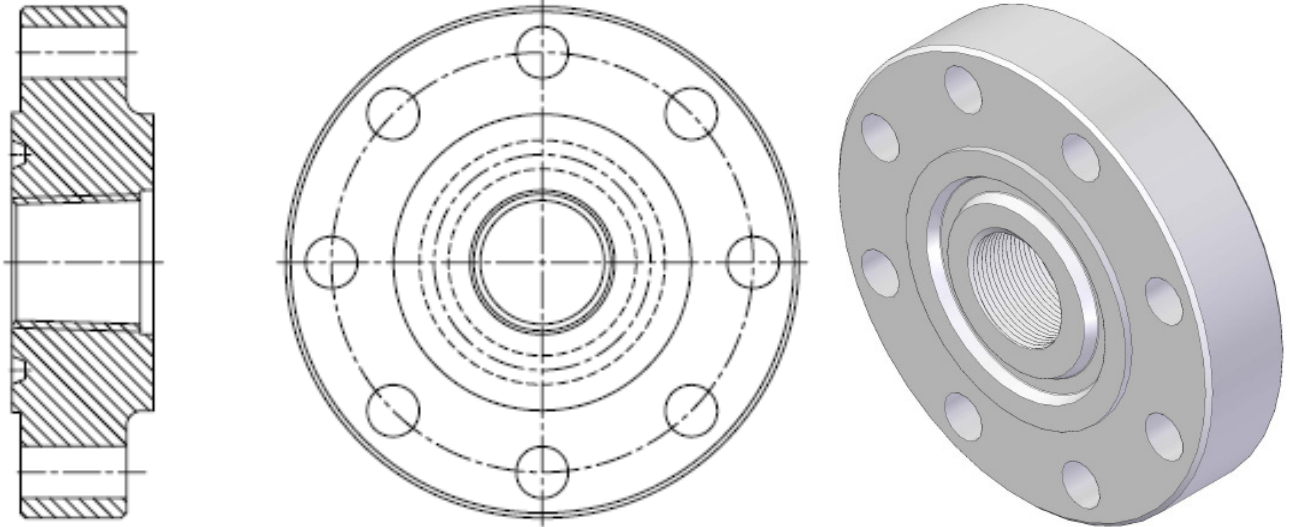
**Product range**

Size : As per customer requirement

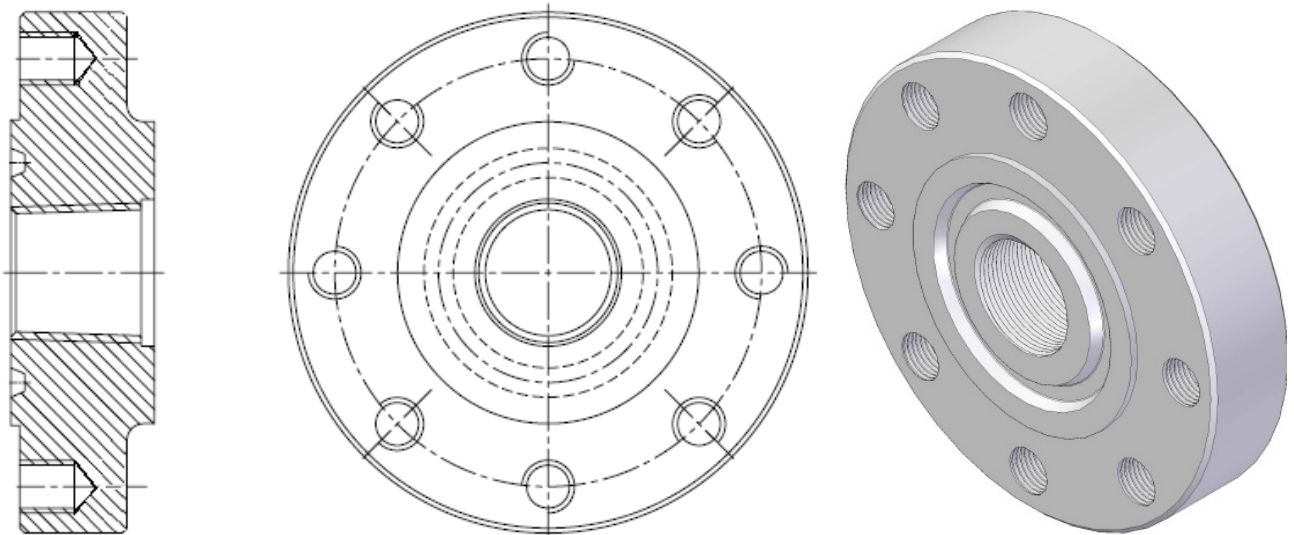
Pressure Class : 2000 PSI to 5000 PSI

Material of Construction : As per API 6A

Service Condition : General, Sour Services



Through Bolted Type Threaded Companion Flange



Studded Type Threaded Companion Flange

Note: This is for understanding only. Please refer to JVS for detailed design &amp; technical information.